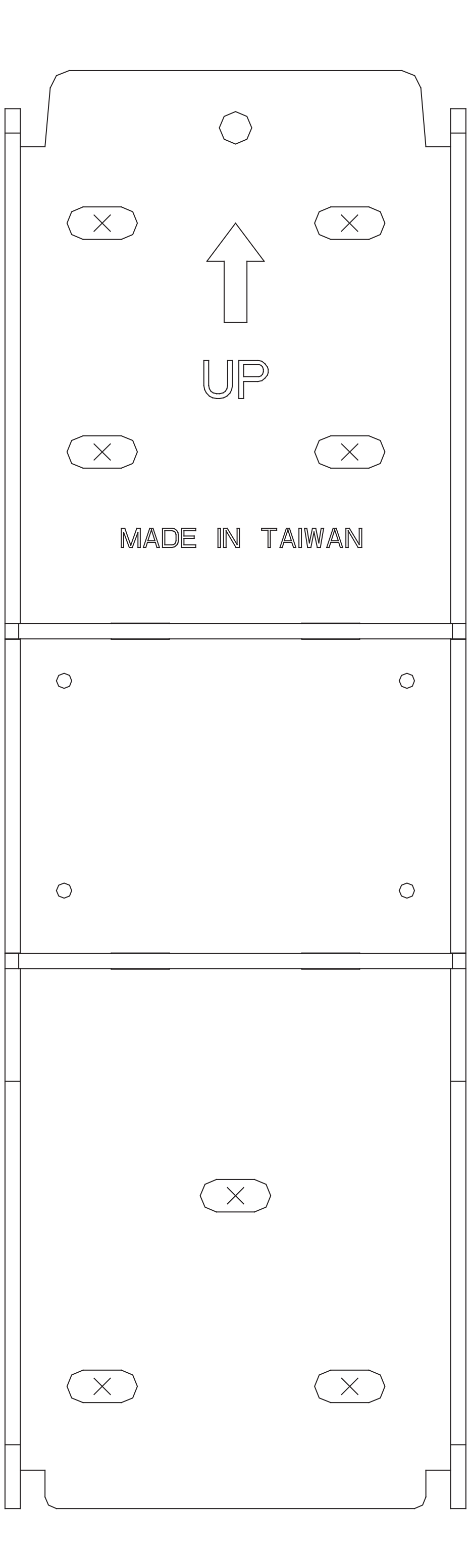
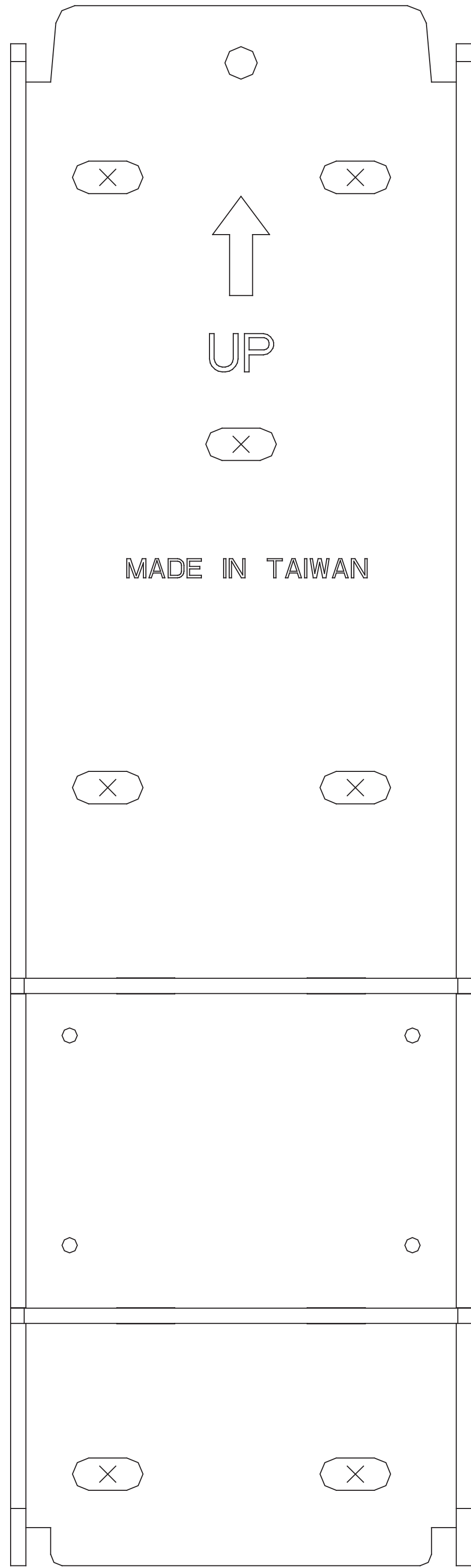


A2021 / A4041 / A6041 / AR220 / AR240

AR120 / AR140



Articulating TV Wall Mount

安裝說明書  
Installation Manual  
取り付けマニュアル

Manuel d'installation  
Installationsanleitung  
Manual da instalação  
Manual de instalación

Instalacja ręczny  
Руководство установки  
Manuale di installazione  
Installationsmanual  
설치 매뉴얼

Mounting Instruction Manual

78A60410101A

包裝零件 / Enclosed Parts / 梱包部品及びアクセサリ  
Parties cloisonnées / Mitgelieferte Teile / Componentes suministrados  
Peças incluídas / Załączane Części / Enclosed части  
Parti incluse / Medföljande delar / 동봉한 부품

**Common Parts**

<b>A</b>	<b>AR120</b>	<b>B</b>	<b>AR140</b>
<b>AR220</b>	<b>A4041</b>	<b>A6041</b>	
<b>A2021</b>	<b>C</b>	<b>D</b>	<b>E</b>
	<b>*4 pcs</b>	<b>*2 pcs</b>	<b>*2 pcs</b>
<b>F</b>	<b>G</b>	<b>H</b>	
<b>*4 pcs</b>	<b>*4 pcs</b>	<b>*8 pcs</b>	<b>*8 pcs</b>

**Common Parts**

<b>D</b>	<b>E</b>	<b>F</b>	<b>G</b>	<b>H</b>
<b>*8 pcs</b>	<b>*8 pcs</b>	<b>*4 pcs</b>	<b>*4 pcs</b>	<b>6mm</b>

Parts Checklist



Projector Ceiling Mount



Dual Monitor Stand



Pole Mount Series



**中文** 安全警告

**EN** Caution

**日本語** 注意

**FR** Attention

**DE** Vorsicht

**ES** Precaución

**PT** Cuidado

**PL** Ostrzeżenie

**RU** Предупреждение

**IT** Attenzione

**SV** Fara

**한국어** 주의

**Warning**

**ES** Nota

**PT** Nota

**PL** Zaznaczają:

**RU** Примечание:

**IT** Nota:

**SV** OBS:

**한국어** 참조:

**Weight Capacity List**

22" to 45"	35" to 55"	22" to 45"
40 lbs (18 kg)	35 lbs (16 kg)	50 lbs (23 kg)
<b>AR120</b>	<b>AR220</b>	<b>A2021</b>
28" to 52"	30" to 52"	30" to 52"
40 lbs (18 kg)	35 lbs (16 kg)	60 lbs (27 kg)
<b>AR140</b>	<b>AR240</b>	<b>A4041</b>
28" to 52"	30" to 52"	30" to 52"
40 lbs (18 kg)	35 lbs (16 kg)	60 lbs (27 kg)
<b>A2021</b>	<b>A4041</b>	<b>A6041</b>



外觀尺寸圖 (單位:公厘) / Physical Dimensions (mm) / 外觀および寸法 (単位:ミリメートル) / Dimensions externes (mm)  
 Außenabmessungen (mm) / Dimensões físicas (milímetros) / Dimensões físicas (milímetros) / Физические размеры (миллиметры)  
 Dimensiones exteriores (mm) / Dimensioni esterne (mm) / Utsidedimensioner (mm) / 외면 치수 (mm)

**Step 1** Masonry Walls or Cement Walls

**A2021 / A4041 / A6041**  
**AR220 / AR240**

**AR120 / AR140**

13mm  
65mm(2.56')

**Step 2** Stud Walls

13mm  
65mm(2.56')

**Step 3**

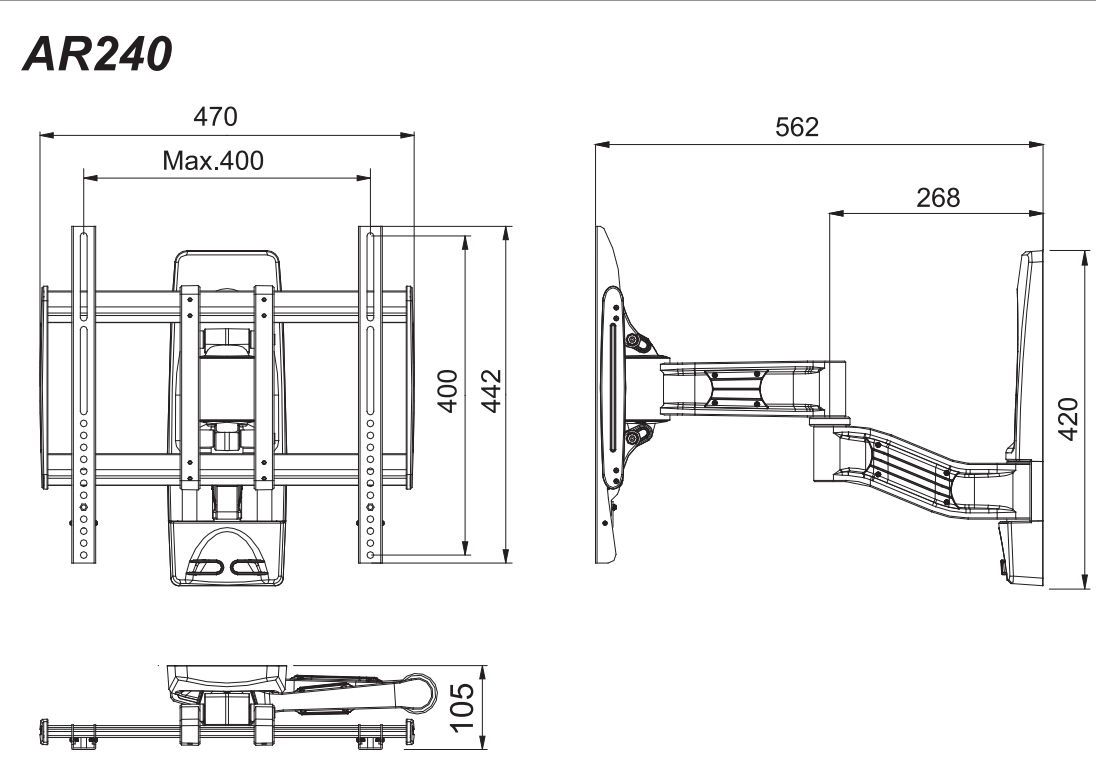
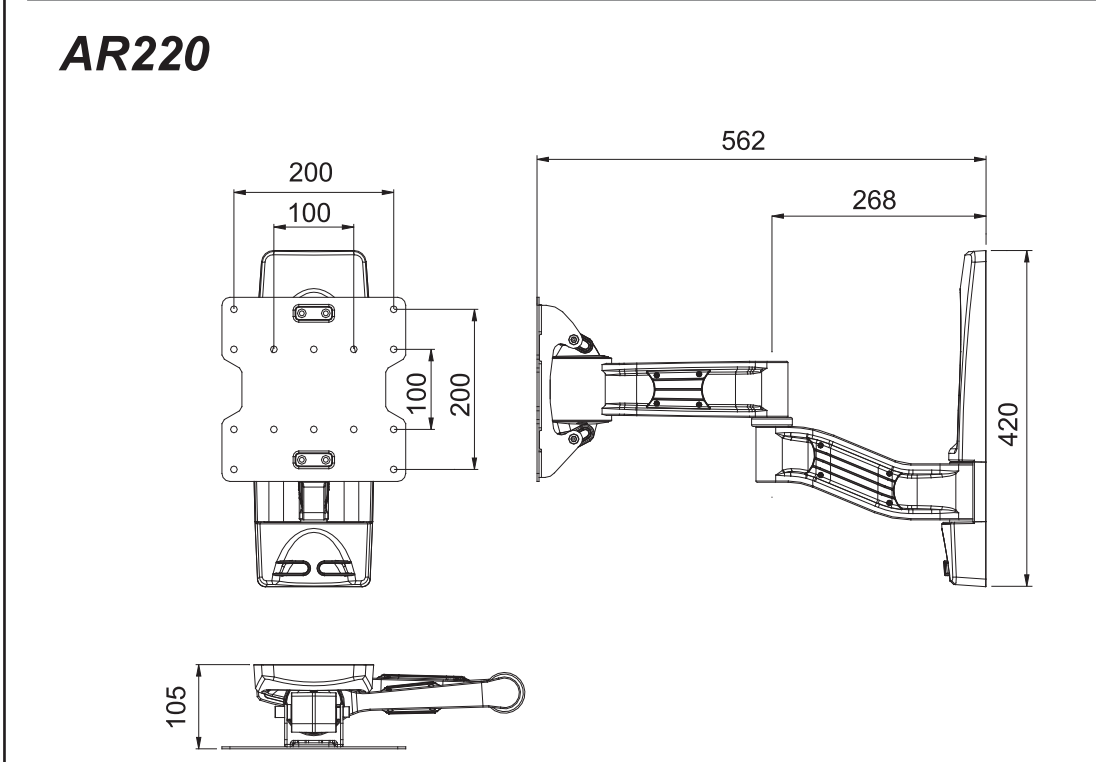
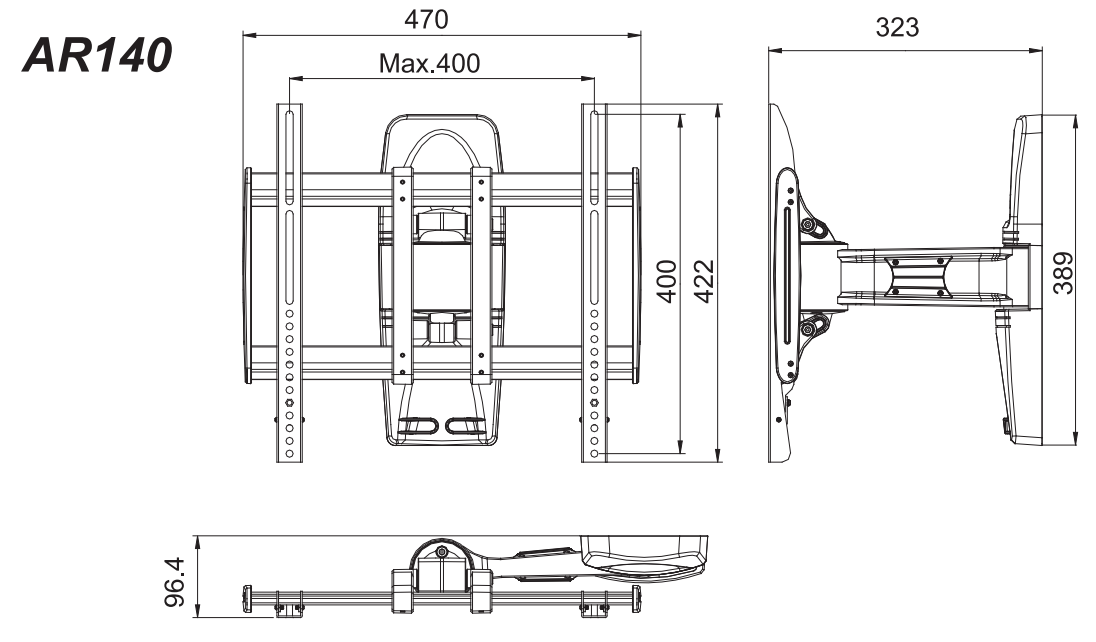
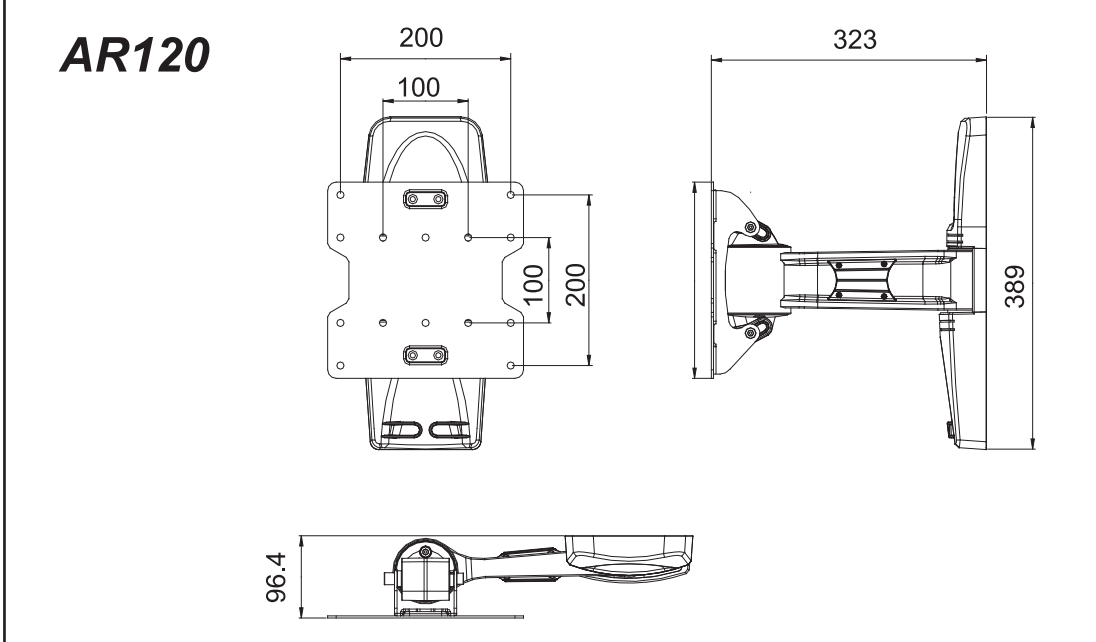
**Step 4**

**A2021 / A4041 / A6041**  
**AR220 / AR240**

E

**AR120 / AR140**

E



**Step 5A** **AR120/AR220/A2021**

4-5mm  
4-5mm

**1**

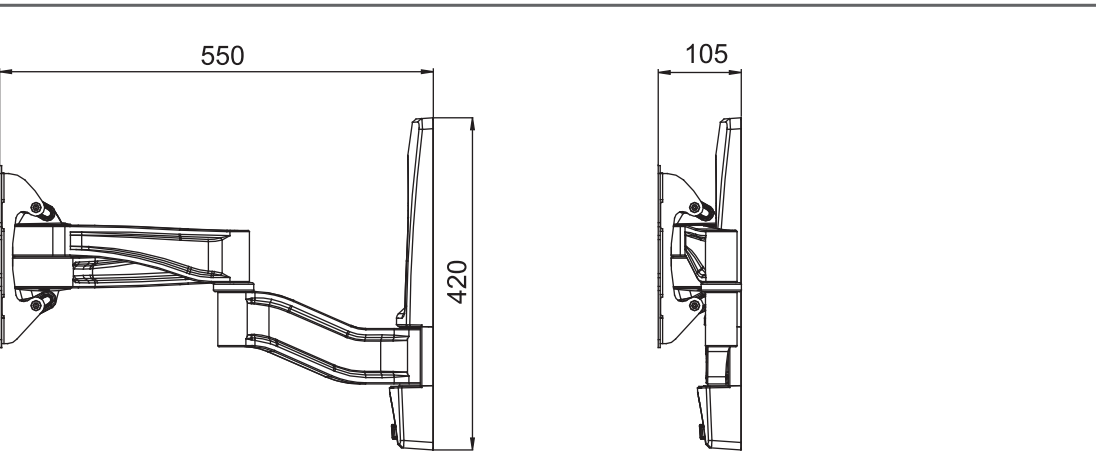
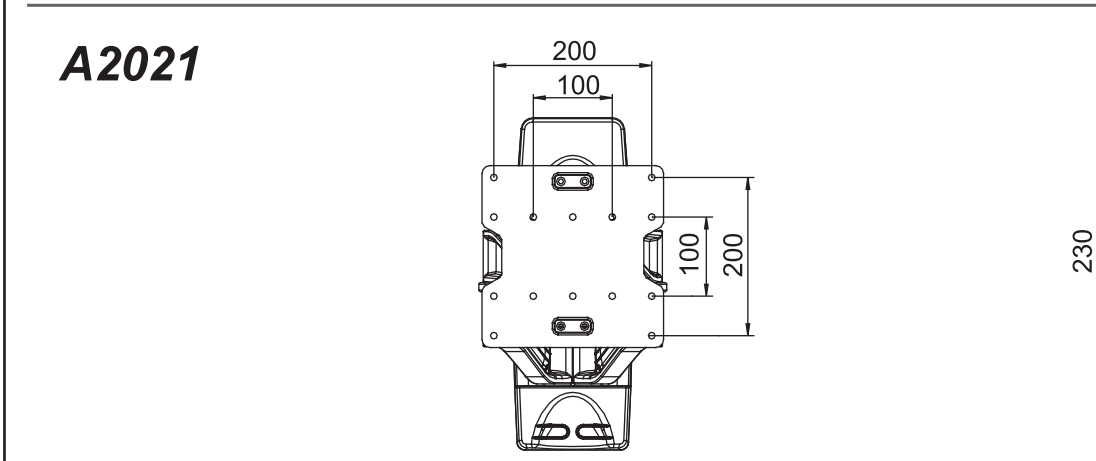
注意事項 Note 注意事項 Remarque  
 Hinweis Note Nota OBS  
 Примечание Note Nota OBS

**Step 5B** **AR140/AR240/A4041/A6041**

4-5mm

**1**

注意事項 Note 注意事項 Remarque  
 Hinweis Note Nota OBS  
 Примечание Note Nota OBS



**Step 6A** **AR120/AR220/A2021**

**Lock Up**

6mm  
\*1pcs

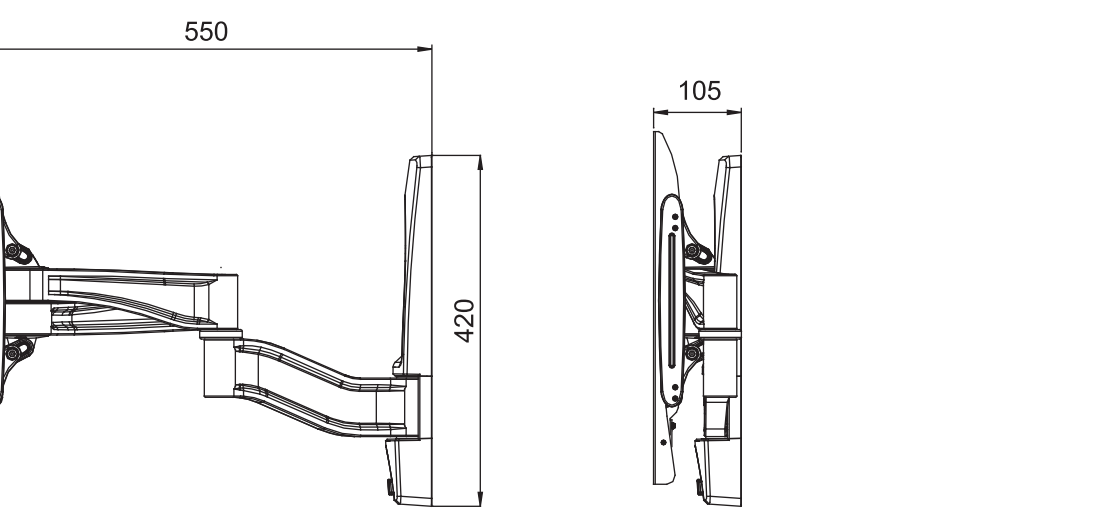
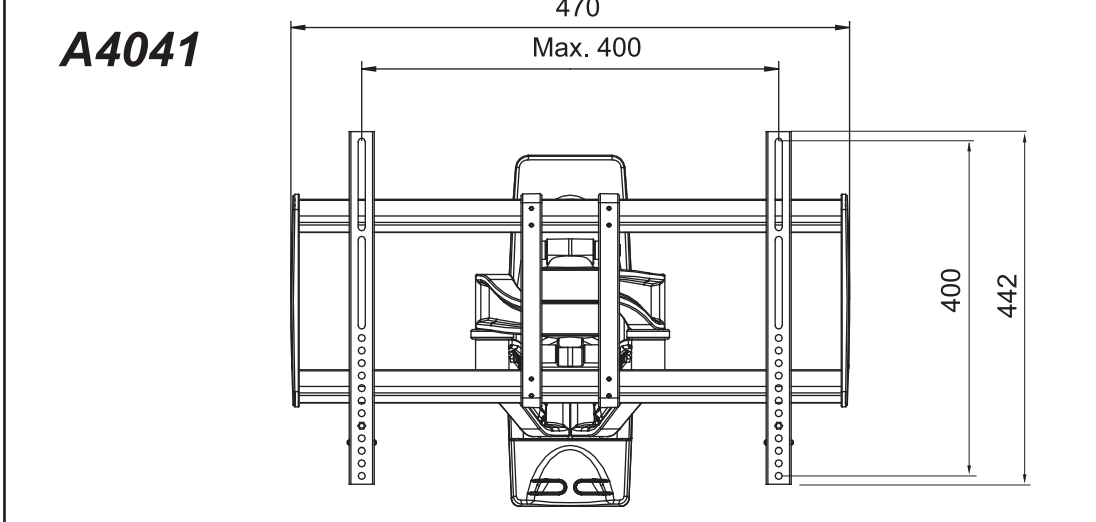
Allen Wrench/6mm

**Step 6B** **AR140/AR240/A4041/A6041**

**Lock Up**

6mm  
\*1pcs

Allen Wrench/6mm



**Step 7**

**AR120 / AR140**

**Cable Management**

6mm  
\*1pcs

Allen Wrench/6mm

**A2021/A4041**  
**A6041**

**AR120/AR140**

**AR220/AR240**

**Tilt Torque Adjust**

6mm  
\*1pcs

Allen Wrench/6mm

**Swivel Torque Adjust**

6mm  
\*1pcs

Allen Wrench/6mm