



## Free Style Workstation Combo System - Single Monitor w/ 3 Pivot

### WSF210

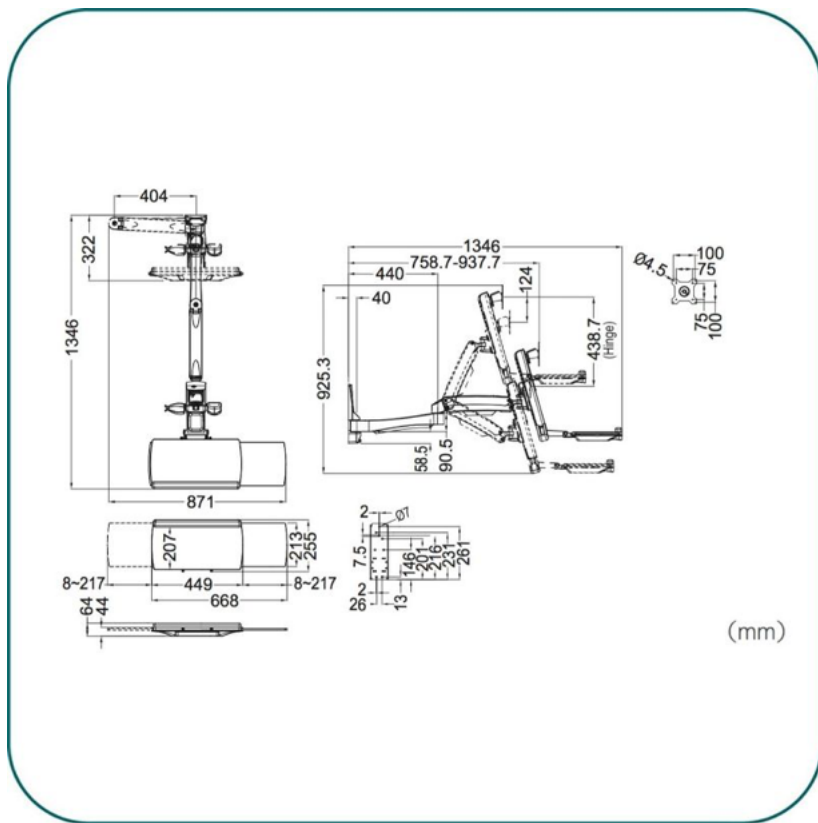
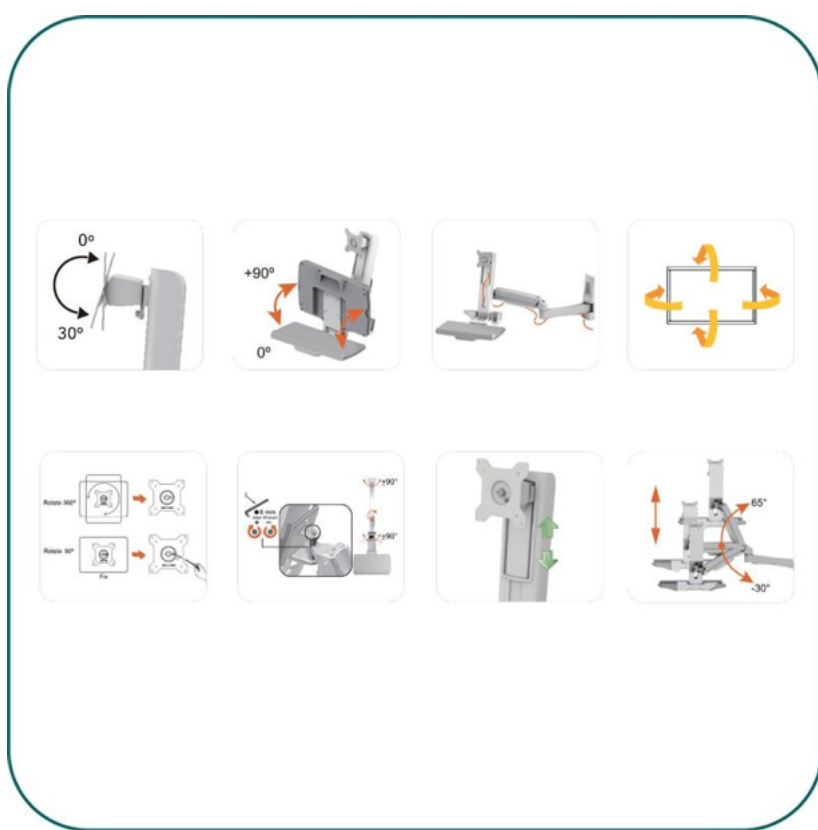


Aavara is proud to present the new release Workstation series. WSF210 is a Sit-Stand Workstation Combo System with 3 pivot featuring free style height adjustment for Ergonomics. Larger angle of height adjustment makes your working space more flexible and agile.

WSF210 empowers productive and ergonomic working environment at comfortable position even without desk.

Features Arm tilt  $-30^{\circ} \sim +65^{\circ}$ , swivel  $\pm 90^{\circ}$ , rotation  $360^{\circ}$  of the display and height adjustment range up to 436mm/ 17.27"  
It suits any stand-alone working space lack of typical desk environment, giving the optimal solution for reforming your working scnerio.  
Widely deploy in Warehouse, Hospital, Clinic, Customs, Airport, Self-Service Stand, Lottery Shops, Theater and SOHO(Small Office Home Office)...etc.

[Workstation Main Page](#)



#### FEATURES

- FREE STYLE HEIGHT ADJUSTMENT FOR ERGONOMICS
- Sit-Stand Workstation Combo System with 3 Pivot
- Designed for LED/LCD display 15-24 inch with VESA 100x100mm
- Display Height Adjust range 124mm/ 4.88"
- Arm/Keyboard Tray Height Adjustment: 436mm/ 17.27"
- Arm Tilt Angle -  $30^{\circ} \sim +65^{\circ}$  degree for ideal viewing angle
- Pivot Rotation:  $360^{\circ}$
- Smart Cable Management System to align messy cables in order
- ExperTorque™ design for easy adjustment hinged by display weight
- Equipped with foldable Keyboard tray solution to save max. space

#### SPECS.

- Flat Panel Size: 15"-27"/ 38-68.6cm
- Display Loading Capacity: 8kgs/ 17.6lbs
- Keyboard Loading Capacity: 2.5kg/ 5.5lbs
- Display Tilt Angle:  $5^{\circ} \sim +35^{\circ}$
- Display Swivel:  $\pm 90^{\circ}$
- Pivot Rotation:  $360^{\circ}$
- Keyboard Tilt:  $0 \sim 90^{\circ}$
- Keyboard tray working space: 449 x 207 mm /17.68" X 8.15"
- Smart Cable Management: Yes
- VESA Mounting: 100x100 mm/ 75x75 mm
- Display Height Adjustment: 124mm/ 4.88"
- Arm/Keyboard Tray Height Adjustment: 436mm/ 17.27"
- Screw Type: M4
- Material: Steel/ Aluminum Alloy/Plastic



[All Workstation Solution](#)



Catalog

#### Mounting Systems

- Trolley Cart
- WorkStation
- Tablet Holder
- Monitor Desk Stand
- POS Stand
- Ceiling Mount
- Projector Mount
- TV Wall Support

#### 4K/ HDMI Solution

- 4K Over IP
- HDMI Over IP
- HDMI/KVM Over IP
- HDMI Over Cat6 Broadcaster
- HDMI Over Coax

#### SUBSCRIBE

Get new product updates and free resources.

Email

Subscribe