



Aavara Free-style Single Monitor stand, featuring height adjustment for ergonomics. With the wide angle of -30°(down) ~ +65°(up) Arm Tilt, +/- 90° arm swivel and a 360° rotation, easily to tilt your best viewing angles for screens without any efforts. It supports VESA 100x100/75x75mm display and ExperTorque™ technology enables adjustment of the screens hinged by its weight.

Smart cable management system keeps messy cables in good order. Ergonomic pivot arm makes the most efficiency at work.

AC110Clamp/ AI110Grommet/ AW110 On-wall base available.

[← Main Page](#)



AC110

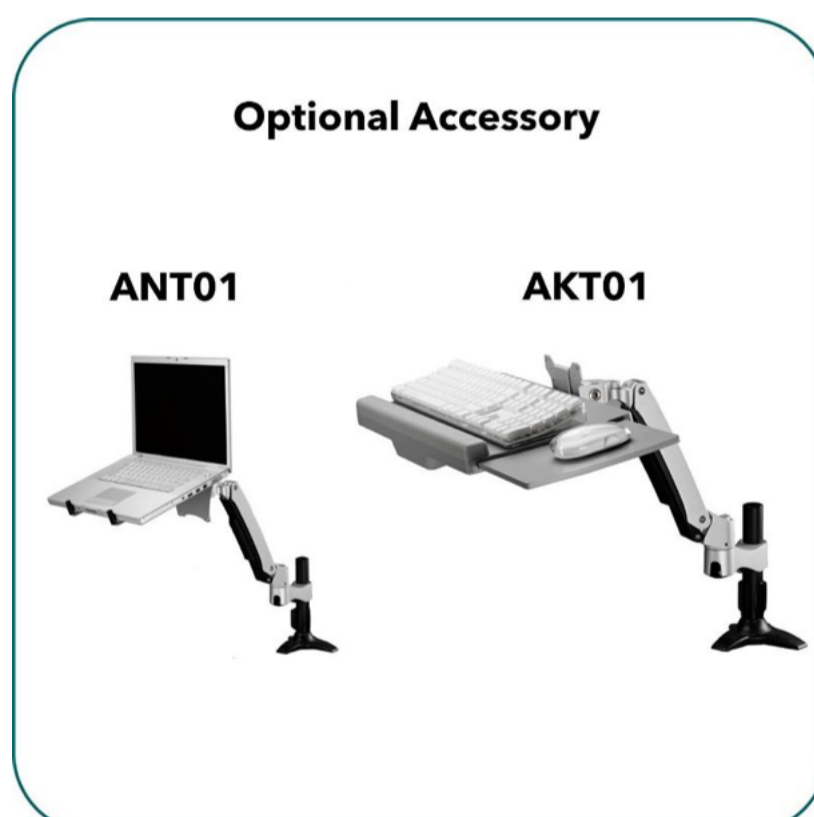
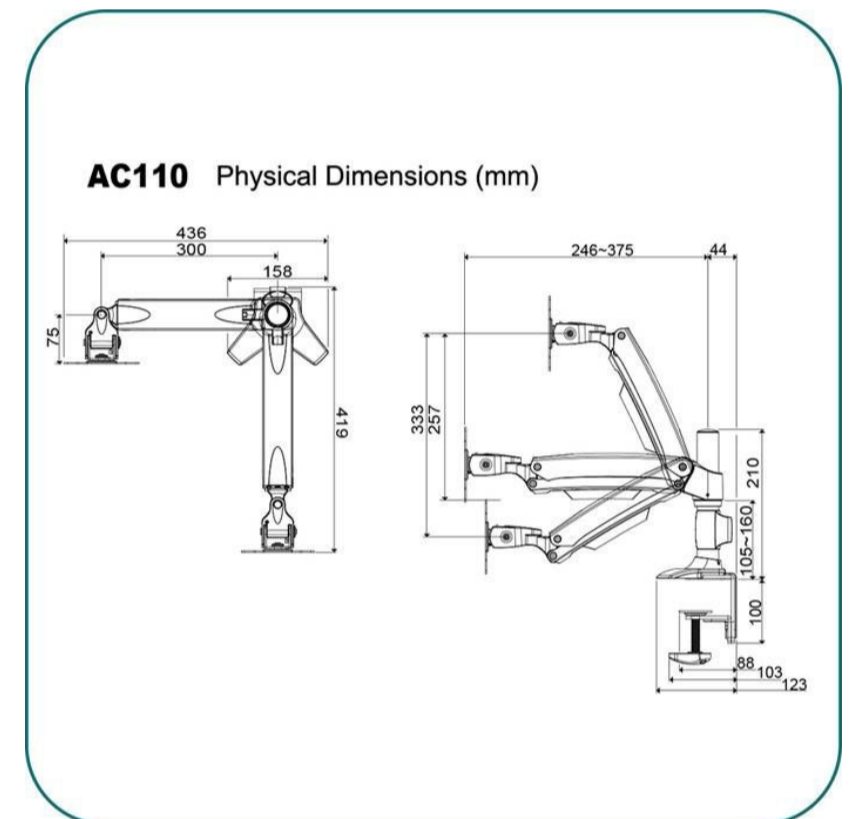
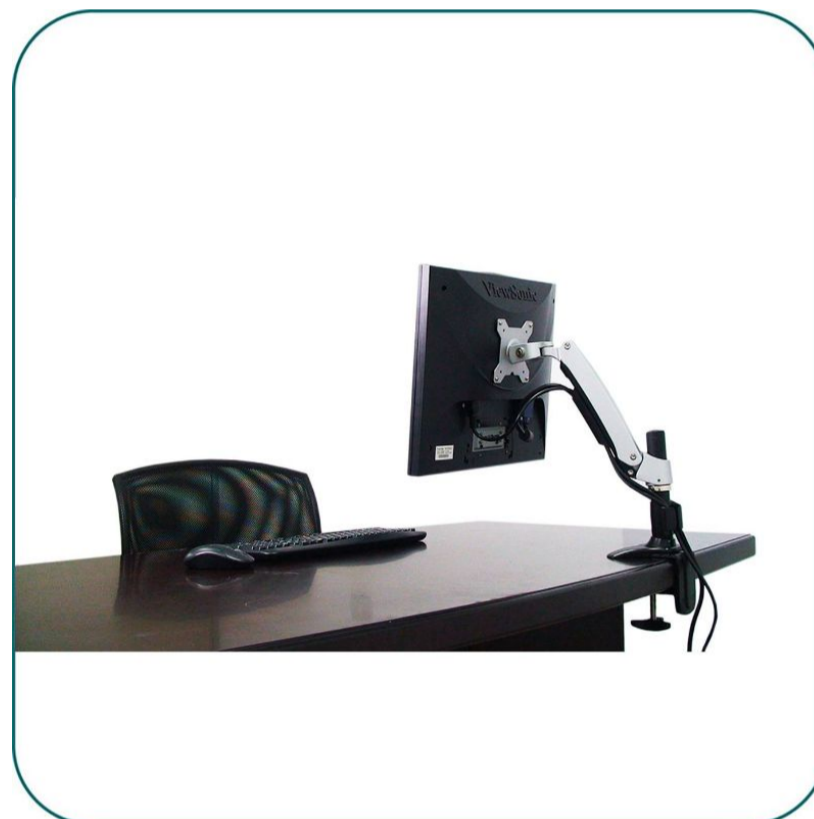
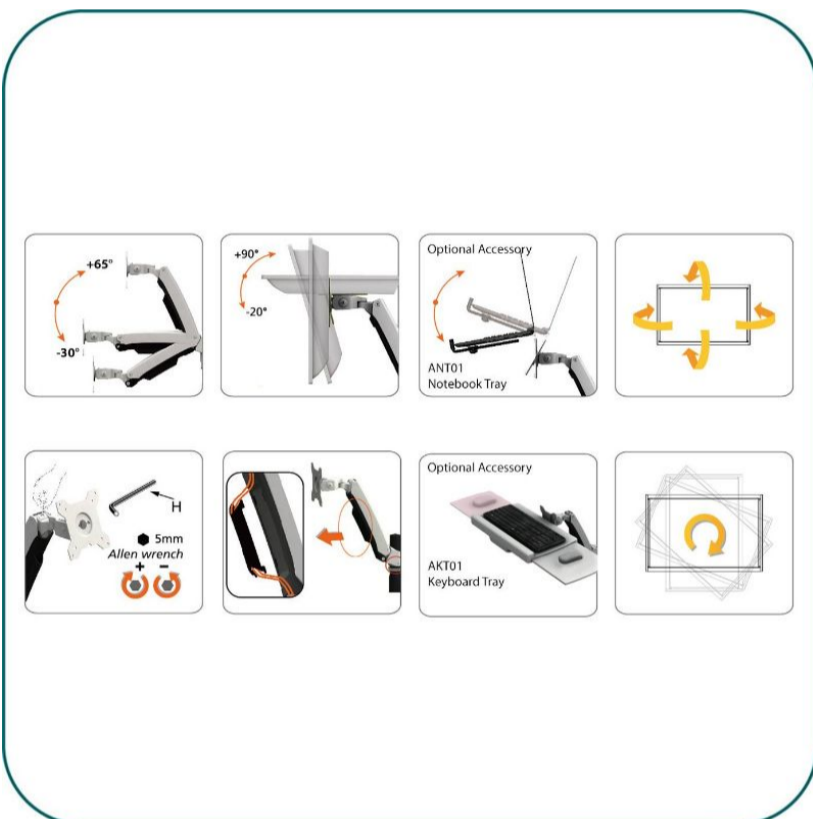
Free Style Monitor Stand 2 Pivot
- Clamp base

AI110

Free Style Monitor Stand 2 Pivot
- Grommet base

AW110

Free Style Monitor Stand 2 Pivot
- On-wall base



FEATURES

- FREE STYLE HEIGHT ADJUSTMENT FOR ERGONOMICS
- Designed for LED/LCD display 15-24 inch with VESA 100x100mm
- LED/LCD Monitor Stand with 2 Pivot
- Monitor Tilt Angle -20°(down)~90°(up) for ideal viewing angle
- Monitor Swivel ANGLE +/-90° for ideal viewing angle
- Arm Tilt Angle -30°(down) ~ +65°(up) range up to 315 mm / 12.4"
- Smart Cable Management System to align messy cables in order
- ExperTorque™ design for easy adjustment hinged by monitor weight
- VESA COMPATIBLE 100*100mm / 75*75mm
- Optional accessory
 - [Keyboard Tray AKT01](#)
 - [NoteBook Tray ANT01](#)

SPECS.

- Flat Panel Size:15"-32"
- Loading Capacity:10Kg/ 22lbs
- Monitor Tilt Angle:-20° (down) ~ 90°(up)
- Swivel Angle:±90°
- Arm Tilt Angle: -30°(down) ~ +65°(up)
- Arm Height Adjustment Range up to 315 mm / 12.4"
- Rotation:360°
- Smart Cable Management:Yes
- Screw Type:M4
- ExperTorque™ :ExperTorque™ design for easy adjustment hinged by monitor weight
- VESA Mounting:100x100mm/ 75x75mm
- Material:Steel/Aluminum Alloy/Plastic

SHARE THIS PAGE!



[All Desk Monitor Stand Solution](#)



Catalog

Mounting Systems

- [Trolley Cart](#)
- [WorkStation](#)
- [Tablet Holder](#)
- [Monitor Desk Stand](#)
- [POS Stand](#)
- [Ceiling Mount](#)
- [Projector Mount](#)
- [TV Wall Support](#)

4K/ HDMI Solution

- [4K Over IP](#)
- [HDMI Over IP](#)
- [HDMI/KVM Over IP](#)
- [HDMI Over Cat6 Broadcaster](#)
- [HDMI Over Coax](#)

SUBSCRIBE

Get new product updates and free resources.

